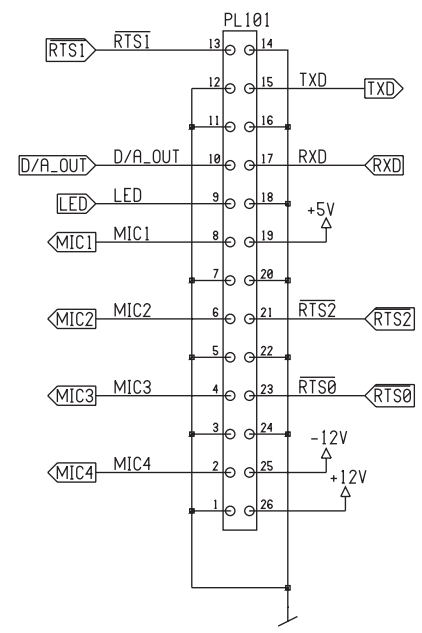
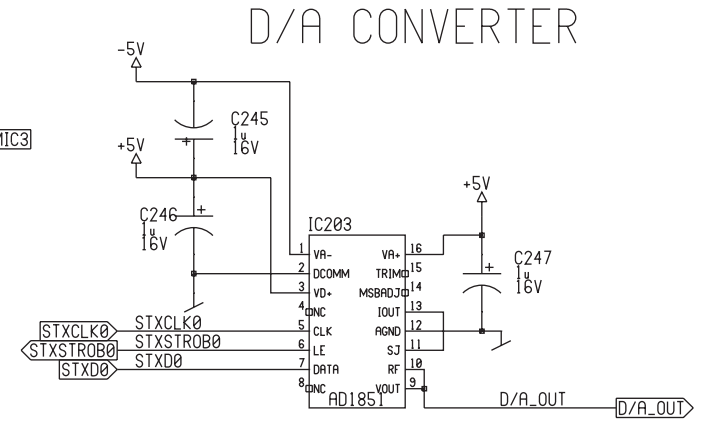
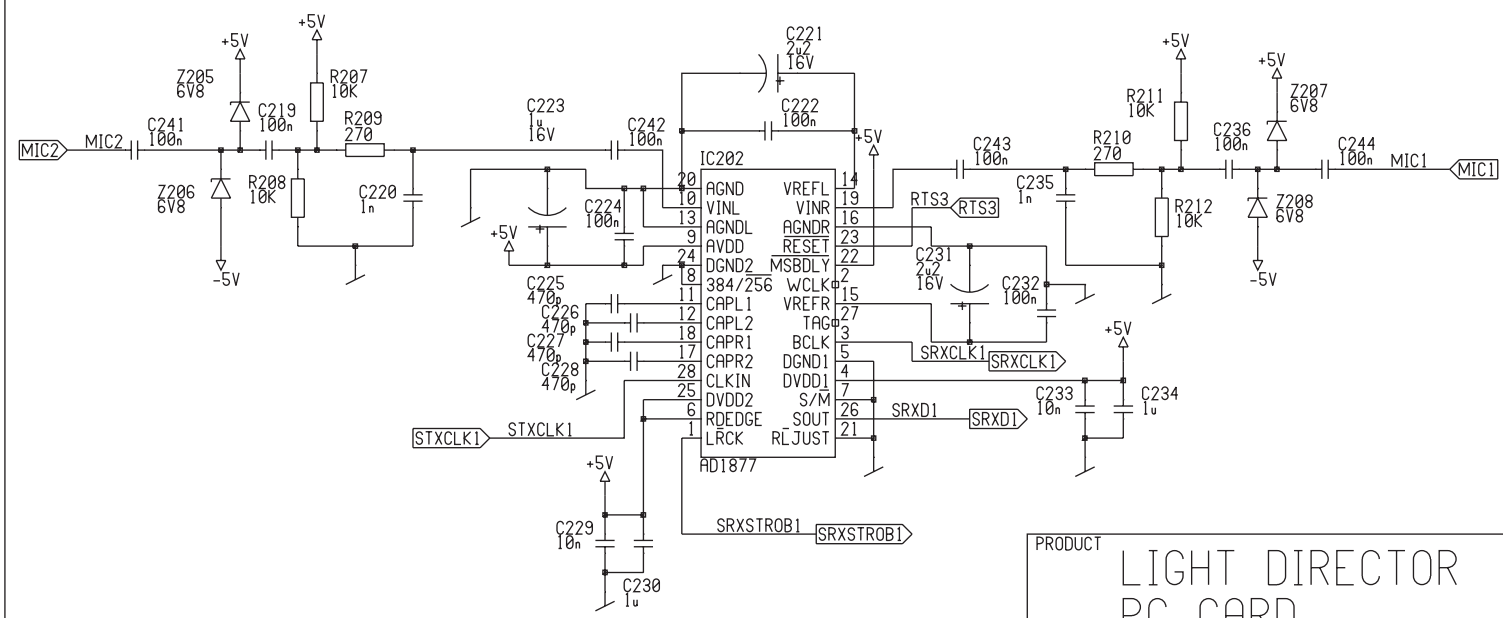
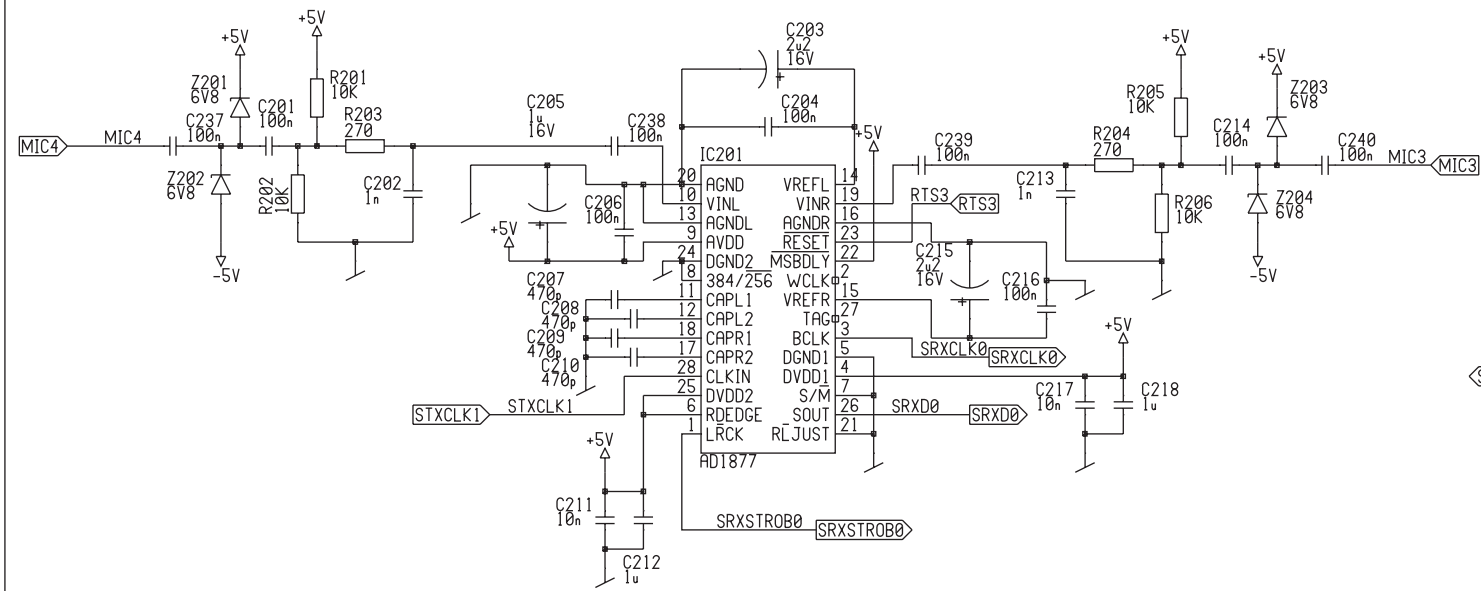


PRODUCT		ENG	
LIGHT DIRECTOR		Martin Professional A/S	
PC-CARD		REVISION REV PAGE 1 OF 2	
DRAWN BY BH		DATE 29/4/97 TIME 14:45	
NAME 813050B0.SCH / 103050B.PCB			



PRODUCT	LIGHT DIRECTOR PC-CARD		ENG.	Martin Professional A/S	
NAME	813050B0.SCH / 103050B.PCB		REVISION REV	PAGE	2 OF 2
			DRAWN BY BH		
			DATE 29/4/97	TIME 14:45	